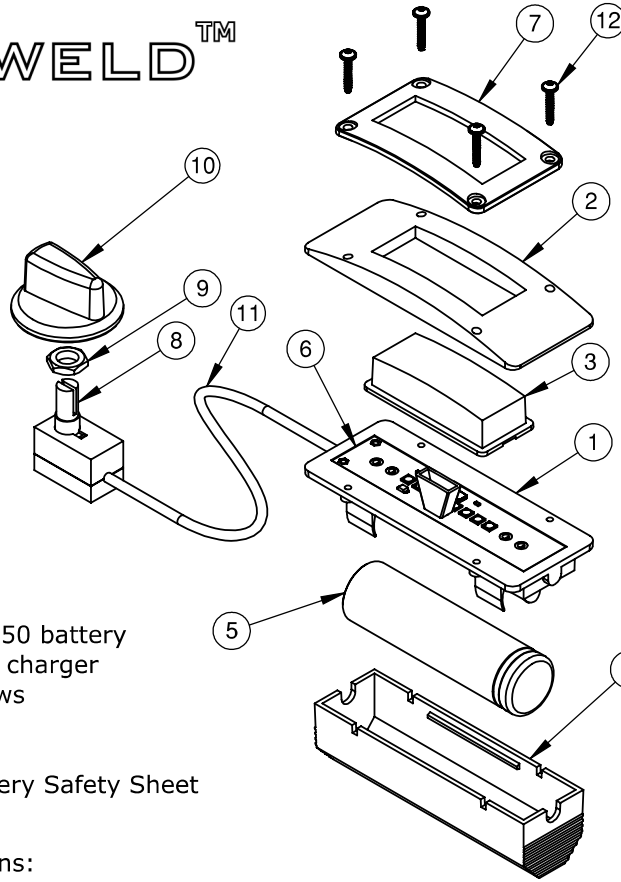


Thank you for purchasing an Illumi-WELD welding helmet light. The light takes approximately 15 minutes to install. We recommend you watch the installation video on our website before mounting your light. The video can be reviewed at <https://illumiweld.com/installation/>

ILLUMI-WELD™



ITEM NO.	QTY.	PART NAME
1	1	Battery Holder
2	1	Lens Holder
3	1	Replaceable Lens
4	1	Battery Cover
5	1	Illumi-WELD Battery
6	1	LED Circuit Board
7	1	Face Plate
8	1	Light Switch
9	1	Light Switch Nut
10	1	Light Switch Knob
11	1	Switch Wire
12	4	Assembly Screws

Package Contents:

- (1) Illumi-WELD kit
- (1) Rechargeable 18650 battery
- (1) Single 18650 wall charger
- (5) T6 assembly screws
- (1) T6 screw bit
- (1) 2.5mm drill bit
- (1) Installation / Battery Safety Sheet

Tools Needed:

- * Fine tip marker
- * Masking tape
- * Exacto or utility knife
- * Cordless/electric drill
- * 9/32" drill bit
- * Hex bit driver tool
- * Included T6 hex bit
- * Included 2.5mm drill bit

Installation Instructions:

1. Center the face plate on the outside of the welding helmet near the bottom chin area. Make sure the area behind where the light is to be mounted is free of any obstructions. Use masking tape to temporarily hold it in place. Do not cover up the holes or square opening as you will need to trace the opening and mark the holes. Make sure it is centered and level before continuing. **You will be drilling and cutting your helmet so this step is crucial.**

2. Using a fine tip marker, mark the (4) holes and trace the square opening. Remove the face plate and check to make sure all markings are visible. Using the included 2.5mm drill bit, drill the (4) mounting holes. The helmet is thin so drill carefully. Remove any excess plastic, the holes must be free of any burrs. Using an exacto or utility knife cut out the square opening. Be sure to stay on the outside of the marker lines when cutting. This will make a tight fit for the lens. Proceed carefully as the plastic is thin and cuts easily with a sharp blade. Always cut away from you for safety.

** Note: The light can be installed to allow mounting of the switch on either side of the welding helmet. Just rotate the battery holder prior to installing the assembly screws so the switch and wire are on the side you prefer.

3. Place the lens holder with the lens into the square opening and press until the top of the lens holder is flush with the inside of the helmet. Have the included T6 hex bit and (4) mounting screws ready. Place the face plate over the lens on the outside of the helmet. Place the top of the battery holder flush to the bottom of the lens holder and place a screw from the outside through the face plate and lens holder into the battery holder and screw several turns. Do not fully tighten. Do the same for the remaining (3) screws. Tighten all (4) screws until they feel tight. Do not overtighten. The helmet shell will conform to the rounded shape of the lens holder.

4. Leave some slack in the wire and use the switch to determine the mounting location. Use a 9/32" drill bit to drill a hole through the helmet. Insert the switch from the inside through the hole and tighten the nut. Take the switch knob and push it down onto the switch shaft, leaving a small space between the bottom of the knob and the helmet.

5. To install the battery, align the positive mark on the battery to the positive mark on the circuit board. Finally, reinstall the battery cover and you are ready to use your Illumi-WELD welding helmet light.

See other side for important battery usage and warnings.